

**M12 female 0° L-cod. field- wireable (IDC)**

5-pol. 0,75...1,5mm<sup>2</sup>

Female straight

The resistance to aggressive media should be individually tested for your application. Further details on request.

M12, 5-pole

L-coded

Field-wireable

IDC terminals

0.75...1.5 mm<sup>2</sup>

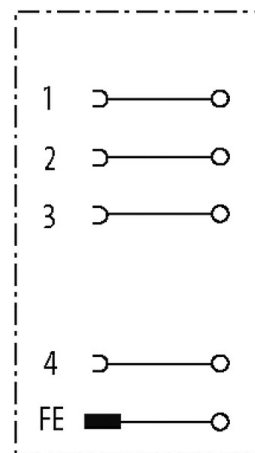
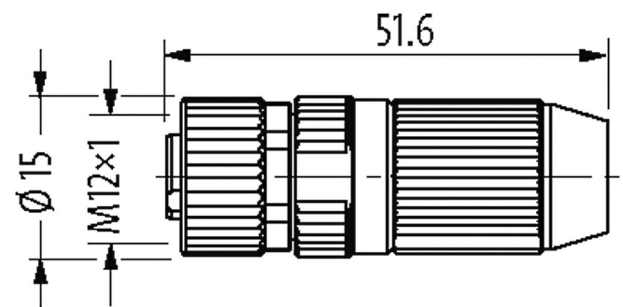
Sealing range (cable Ø)

5.8...13.5 mm

Plastic housings with good resistance against chemicals and oils.

[Link to Product](#)

Illustration



Product may differ from Image

**Form**

Form P4421

**General data**

Dimensions H×W×D	53×25×25 mm
Material (contact carrier)	PA
Material (contact)	Copper
Material (contact surface)	Au
Temperature range	-40...+85 °C

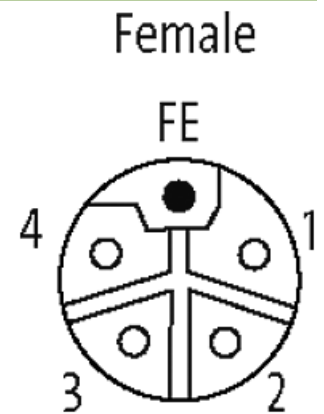
**Technical Data**

Operating voltage	max. 63 V DC
Operating current per contact	max. 12 A
Connection cross section	max. 1.5 mm <sup>2</sup>
Coding	L-coded
Sealing range (cable Ø)	5.8...13.5 mm

Locking of ports	Screw thread (M12×1 mm) recommended torque 0.6 Nm, self-securing
Compression gland	M12 (SW17)
Protection	IP65 and IP67 when plugged and screwed down (EN 60529)
Material	Zinc die casting
suitable for corrugated tube (internal Ø)	without
Mating cycles	≥ 500

**Commercial data**

country of origin	RO
customs tariff number	85366990
EAN	4048879682558
eClass	27279221
Packaging unit	1

**Sketch**

Product may differ from Image